

Speaker / Electronic Horn / Heavy Duty Electronic Horn



		Speaker	Electronic Horn			Heavy Duty Electronic Horn		
Model		AUP-B	AUP-EWH			AUP-EWM-A	AUP-EWM-B	AUP-EWM-C
Voltage		AC110V ~ 220V DC12V / DC24V	AC110V ~ 220V DC12V / DC24			AC110V ~ 220V DC12V / DC24V		
Dimension (mm)	Diameter	78 X 78	116 x 116	Ø210	116	120	134	134
	Height	-	-	-	196	161	154	154
	Depth	58	220	306	223	120	242	325
Material		ABS resin	ABS resin	ABS resin	Horn - ABS resin / Body - AL 7 type A AC7A			
Timbre & Volume	Melody	4 Sounds Max. 90 dB	3 Sounds Max. 115 dB	3 Sounds Max. 120 dB	3 Sounds Max. 120 dB	3 Sounds Max. 115 dB	3 Sounds Max. 115 dB	3 Sounds Max. 120 dB
	Buzzer Siren							
Mounting structure		Panel buried	Self stand		Wall mounted		Direct mounted	
Max. Output		-	25W	35W	25W / 35W	25W	25W	50W
Cable entry								
Customization		-	15W order specifications	-	-		-	
Page		p.67	p.69	p.69	p.70	p.70	p.71	p.71



AUP-B Series

Panel Mounted Speaker



Nomenclature



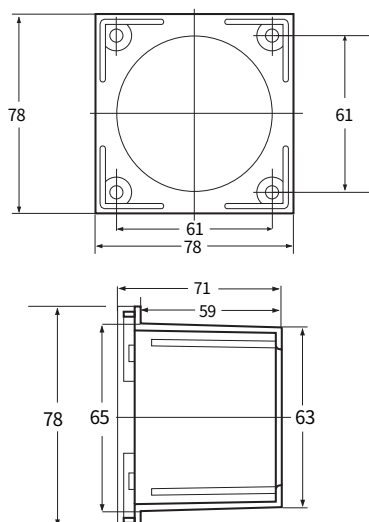
AUP - B - **①** - **②**
 Panel Mounted Speaker Basic sound Voltage

①
AM: Melody
AB: Buzzer
AV: Voice

②
110 / 220 :
 AC110V ~ 220
12 / 24 :
 12 : DC12V
 24 : DC24V

Technical Diagram

Unit: mm



AUP-B

Panel Mounted Speaker

- Although it is small in size, it makes a clear, high capacity sound
- A panel style buzzer and alarm made with 4 channels. Users can choose the timbre based on the channel selection
- Clear and fine sound in 8 harmonies
- Users can control 5 types of melodies and 7 types of buzzers according to the selected combination
- Volume control is provided on the reverse side of the product
- Buzzer volume : Max. 90dB
- Material : ABS resin
- Operating Temperature : -25 ~ 50°C

Customization

- Users can control sound combinations through the DIP switches in the product (See Page 68)
 If changing user settings is too difficult, the default setting is available when deciding order specifications.



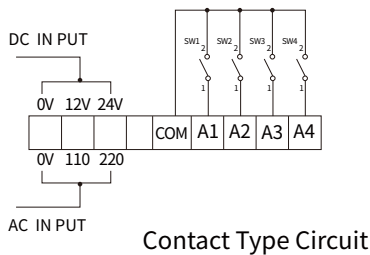
MODEL	Embedded sound			Volume	Voltage	Current	Weight
	Channel	Timbre					
AUP-B	A1	Melody (AM) DIP switch No. 2, 3, 4 ON	Turkish March	Max. 90 dB	AC110V ~ AC220V	0.5(A)	272g
	A2		Piano Sonata				
	A3		Home Sweet Home				
	A4		Fur Elise				
	A1	Buzzer (AB) DIP switch No. 1, 2 ON	bee~bee~bee		DC12V ~ DC24V	1.2(A)	184g
	A2		Dingdong				
	A3		bee-ee				
	A4		bee bee bee bee				

- ⊙ Timbre combination can be changed with the DIP switch in the product and external channel sockets
- ⊙ Volume can be adjusted by lightly turning the dial with a Phillips head screwdriver

Timbre Table

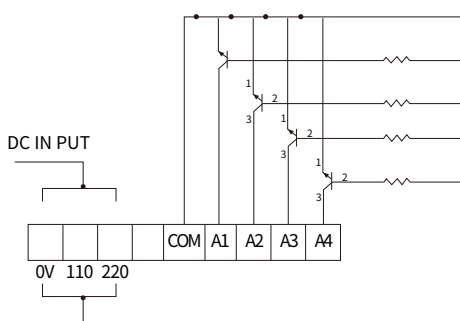
- ⊙ It can be changed to use DIP switch and input pin channel adjustment, depending on the user's selection

Circuit Diagram



DIP Switch Adjustment	Input Pin			
	A1	A2	A3	A4
All OFF	Dingdongdang	Piano Sonata	Magic Flute	Home Sweet Home
No 1 ON	Dingdong	Telephone bell	bee bee peep	Dingdongdang
No. 2 ON	Magic Flute	Piano Sonata	Fur Elise	Telephone bell
No 3 ON	Piano Sonata	Turkish March	Home Sweet Home	Magic Flute
No 4 ON	Fur Elise	Turkish March	Home Sweet Home	bee bee bee bee
No 1, 2 ON	bee~bee~bee	Dingdong	bee-ee	bee bee bee bee
No 1, 3 ON	Magic Flute	Fur Elise	Turkish March	Home Sweet Home
No. 1, 4 ON	Magic Flute	Home Sweet Home	Telephone bell	Dingdongdang
No. 2, 3 ON	Magic Flute	Turkish March	Piano Sonata	bee bee bee bee
No. 2, 4 ON	Home Sweet Home	Magic Flute	Turkish March	Dingdong
No. 3, 4 ON	Magic Flute	Home Sweet Home	Dingdong	Telephone bell
No. 1, 2, 3 ON	Fur Elise	Home Sweet Home	Magic Flute	Piano Sonata
No. 1, 2, 4 ON	Magic Flute	Turkish March	Home Sweet Home	bee~bee~bee
No. 1, 3, 4 ON	Magic Flute	Piano Sonata	Home Sweet Home	Dingdongdang
No. 2, 3, 4 ON	Turkish March	Piano Sonata	Home Sweet Home	Fur Elise
No. 1, 2, 3, 4 ON	Piano Sonata	Magic Flute	Fur Elise	Turkish March

	Transistor	Contact-free Relay
Type	NPN Transistor (2SC & 2SD)	Current output-type for DC load (open collector)
Withstand Voltage	Vc > 12V	
Current Capacity	IC > 10mA (10mA or more)	
Leakage Current	ICBD > 0.1mA (0.1mA or lower)	
Allowable Voltage	VAST < 1V (1V or lower)	



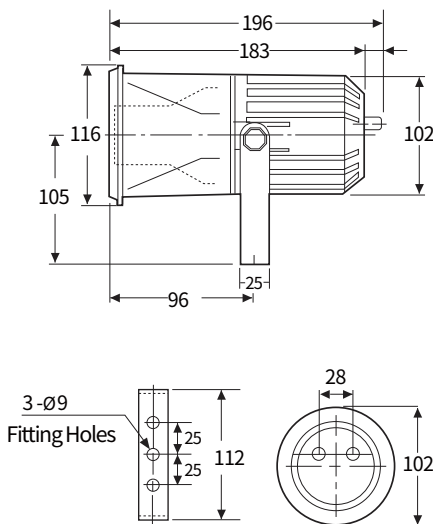
How to Use TR and SSR



AUP-EWH-25W

Technical Diagram

Unit: mm



AUP-EWH-35W

Nomenclature

AUP - EWH -	①	—	②	—	③
	Output		Timbre		Voltage
	25W : 25W		AS : Siren		110 / 220 : AC110V ~220
Electronic Horn		AM : Melody		12 : DC12V	
	35W : 35W		AB : Buzzer		24 : DC24V
			AV : Voice		



AUP-EWH

Electronic Horn

- ⊙ 3 siren sounds, 3 melody sounds, and 3 buzzer sounds can be selected according to the operator's purpose.
- ⊙ The device is equipped with a volume switch for easier volume adjustment
- ⊙ The device is equipped with a timbre switch for easier timbre change
- ⊙ Light and solid manufacturing
- ⊙ Buzzer volume Max. 115 ~ 120dB
- ⊙ Material : ABS resin
- ⊙ Operating Temperature : -25 ~ 50°C

MODEL	Embedded sound		Volume	Voltage & Current	Weight	
	Timbre					
AUP-EWH 25W	Siren AS	Fire	Max. 115 dB	AC110V / 220V compatible: 0.113A	AC : 1174g DC : 1122g	
		Emergency				
		Urgent				
	Melody AM	The Magic Flute	Max. 115 dB			DC12V : 2.21A
		Home Sweet Home				
		Fur Elise				
	Buzzer AB	bee bee bee bee	Max. 115 dB	DC24V : 1.02A		
		Ding dong				
		beep ~ beep ~ beep				
AUP-EWH 35W	Siren AS	Fire	Max. 120 dB	AC110V / 220V compatible: 0.122A	AC : 1431g DC : 1379g	
		Emergency				
		Urgent				
	Melody AM	The Magic Flute	Max. 120 dB			DC12V : 2.44A
		Home Sweet Home				
		Fur Elise				
	Buzzer AB	bee bee bee bee	Max. 120 dB	DC24V : 1.19A		
		Ding dong				
		beep ~ beep ~ beep				

Customization

- ⊙ 15W customized consultation is possible
- ⊙ Voice signal (Voice sound) is selectable as a ordering specification
- ⊙ 4 sounds, including melodies and Piano Sonata, and 4 sounds including buzzer and bee~~~bee~~~ sounds can be ordered



AUP-EWM Series

Heavy Duty Electronic Horn



AUP-EWM-A



AUP-EWM-B

Nomenclature

AUP - EWM -	①	-	②	-	③	-	④
	Type		Output		Timbre		Voltage
Heavy Duty Electronic Horn	A Type		25W : 25W 35W : 35W		AS : Siren AM : Melody AB : Buzzer		110 / 220 : AC110V ~ 220 12 : DC12V 24 : DC24V
	B Type						



AUP - EWM - A

Heavy Duty Electronic Horn

- A cable gland is equipped on the housing terminal box
- Aluminum housing structure with excellent durability
- Suitable for ships and heavy industries
- Buzzer volume Max. 115dB
- Material : Aluminum housing + ABS resin Signal Horn
- Operating Temperature : -25 ~ 50°C
- 25W / 35W two types of maximum outputs are available

* See on Page 69

MODEL	Output	Timbre*	Volume	Voltage	Weight
AUP-EWM-A	25W	Siren AS	Max. 115 dB	AC110V ~ 220V DC12V DC24V	AC : 3067g DC : 3040g
		Melody AM			
		Buzzer AB			
AUP-EWM-A	35W	Siren AS	Max. 120 dB	AC110V ~ 220V DC12V DC24V	AC : 3324g DC : 3297g
		Melody AM			
		Buzzer AB			



AUP - EWM - B

Heavy Duty Electronic Horn

- The housing is equipped with a flexible connector
- Buzzer volume Max. 115dB
- 25W of maximum output is available

* See on Page 69

MODEL	Output	Timbre*	Volume	Voltage	Weight
AUP-EWM-B	25W	Siren AS	Max. 115 dB	AC110V ~ 220V DC24V	AC : 2121g DC : 2101g
		Melody AM			
		Buzzer AB			



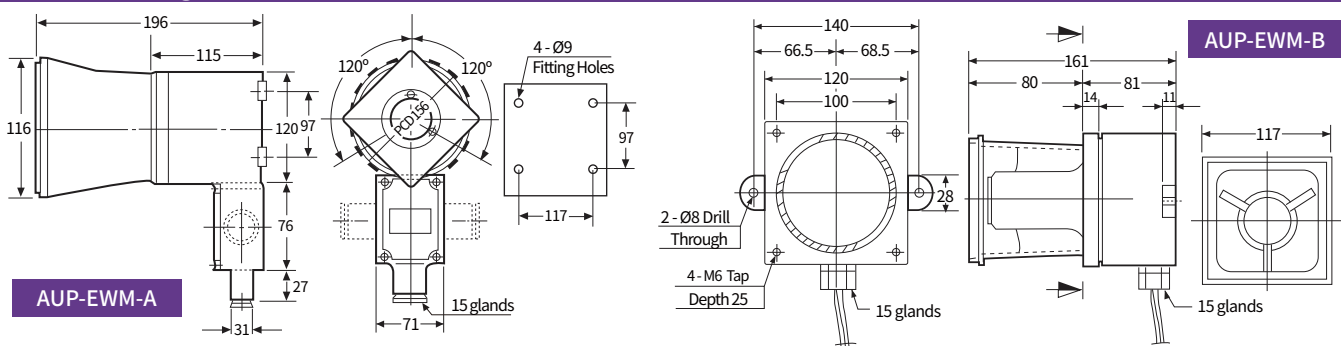
Cable Glands



Flexible Connector

Technical Diagram

Unit: mm





Nomenclature



AUP-EWM-C 25W

AUP - EWM -	①	-	②	-	③	-	④
	Type		Output		Timbre		Voltage
Heavy Duty Electronic Horn	C Type		25W : 25W 50W : 50W		AS : siren AM : Melody AB : Buzzer		110 / 220 : AC110V ~220 12 : DC12V 24 : DC24V



AUP - EWM - C

Heavy Duty Electronic Horn

- ⊙ The housing is equipped with a flexible connector.
- ⊙ Excellent durability of aluminum housing structure
- ⊙ Suitable for ships and heavy industries
- ⊙ With high capacity, suitable for places with loud noise or that require left and right direction
- ⊙ Material : Aluminum housing + ABS resin Horn
- ⊙ Operating Temperature : -25 ~ 50°C
- ⊙ 25W (One-way) / 50W (Two-way) of maximum output, with Electronic Horn

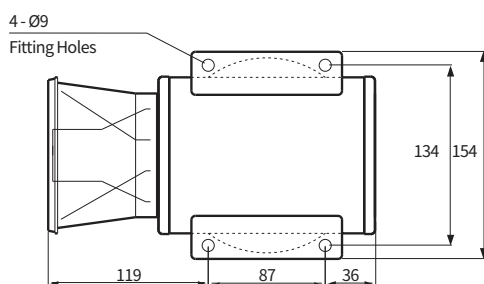


AUP-EWM-C 50W

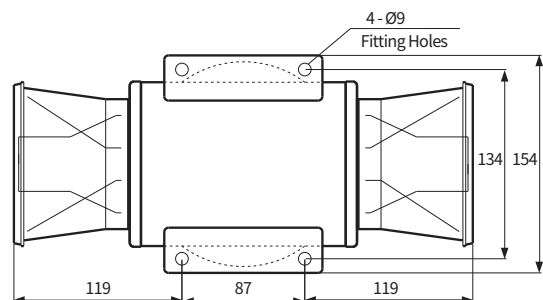
MODEL	Embedded sound		Volume	Voltage	Weight
	Timbre				
AUP-EWM-C 25W (One-Way)	Siren AS	Fire	Max. 115 dB	AC110V ~ 220V	AC: 2796g DC: 2771g
		Emergency			
		Urgent			
	Melody AM	The Magic Flute	Max. 115 dB		
		Home Sweet Home			
		Fur Elise			
Buzzer AB	bee bee bee bee	Max. 115 dB			
	Ding dong				
	bee~bee~bee~				
AUP-EWM-C 50W (Two-Way)	Siren AS	Fire	Max. 120 dB	AC110V ~ 220V	AC: 3678g
		Emergency			
		Urgent			
	Melody AM	The Magic Flute	Max. 120 dB		
		Home Sweet Home			
		Fur Elise			
Buzzer AB	bee bee bee bee	Max. 120 dB			
	Ding dong				
	bee~bee~bee~				

Technical Diagram

Unit: mm



AUP-EWM-C-25W



AUP-EWM-C-50W